



## OneKeyElectro wiring accessories



Small masterpieces  
for your cozy home

2023





## OneKeyElectro

is a switch and socket collection with a pure and distinctive design complemented by the use of materials enhancing safety and sensory aspects as well as being aesthetically pleasing



## ABOUT US

Warm-on is an official exclusive distributor of OneKeyElectro – a new brand of wiring accessories that harmoniously combines reliability, aesthetics, functionality and ergonomics.

Inspired by the Italian architecture we created our own brand of modern wiring accessories drawing on our vast experience in electrical engineering and following current trends in industrial design. Being an exclusive distributor of OneKeyElectro in Europe we offer our customers several lines of designer high-end products – perfect in proportions, exquisite in design.



OneKeyElectro is a laureate of the European Product Design Award. Florence series were awarded a Silver Prize in the nomination A' Building Materials, Construction Components, Structures & Systems Design Award





# OneKeyElectro

Exclusive line of wiring accessories

Inspired by Renaissance masterpieces, we have created a unique product that can highlight your space and create a cozy and comfortable atmosphere.



Unusual concept «circle in the square», simple and elegant forms, noble texture of decorative materials – all this denotes a special style of OneKeyElectro products.



# PRODUCT LINES



Garda glass frames

A new facet of your unique style.

Familiar frames for sockets and switches turned into a real masterpiece.

# La Garda



The deep and transparent Garda frames made of beautiful triplex glass is a total reflection of the clear lake, bearing the same name.

Exclusive design  
at a reasonable price!



## PRODUCT LINES



The soft and pleasant to touch electrical mechanisms and frames of Florence series, created in accordance with the Renaissance canons, show harmony between round and square shapes, and golden ratio reminiscent of the perfect proportions of Santa Maria del Fiore.

# Florence



The matte surface of mechanisms and frames does not create optical highlights. It is wear-resistant and non-marking.

All materials used are eco-friendly, durable and safe. Our plastic elements are made of high-quality polycarbonate, which has a good heat resistance and eliminates the probability of the electric shock.



# PRODUCT LINES

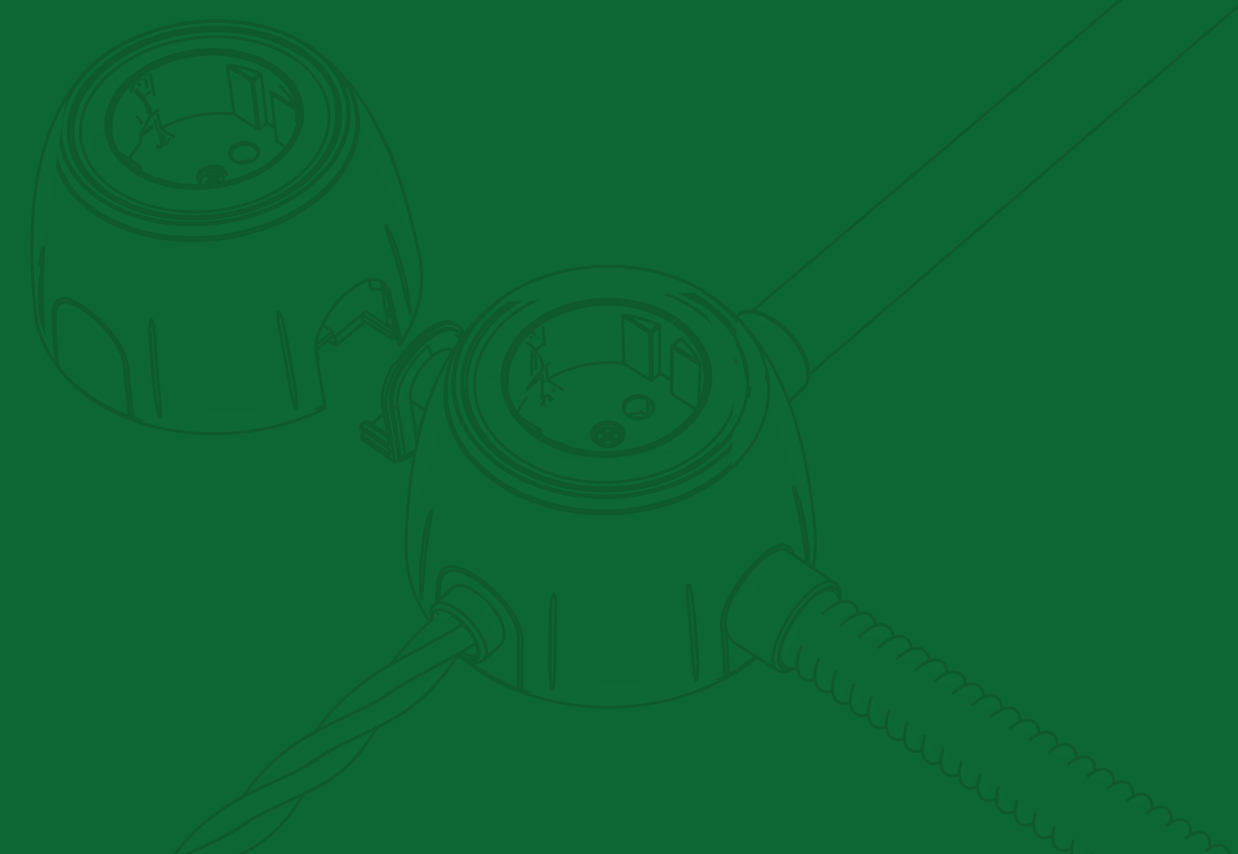


ROTONDO is a refined collection of wiring accessories for creating a contemporary and incomparable interior design.

**ROTONDO**  
*Vita perfetta*



The charming Rotonda series combines formal aesthetics with a high level of functionality. It is a perfect solution both for open and hidden wiring.





# Popular colors and their combinations for your creative ideas

Our color palette includes four colors:

- white snow
- vanilla cappuccino
- smoky opal
- black night



Use different color combinations to bring your creative ideas to life



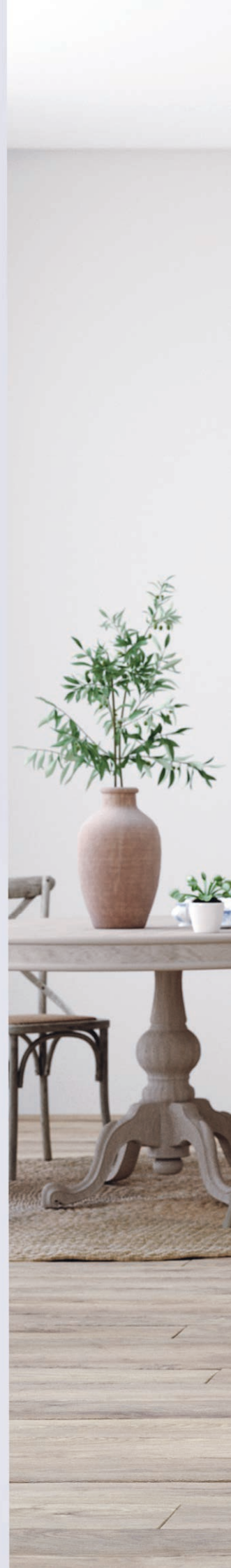
Combine electrical mechanisms with Garda glass frames or Florence plastic frames



# SWITCHES

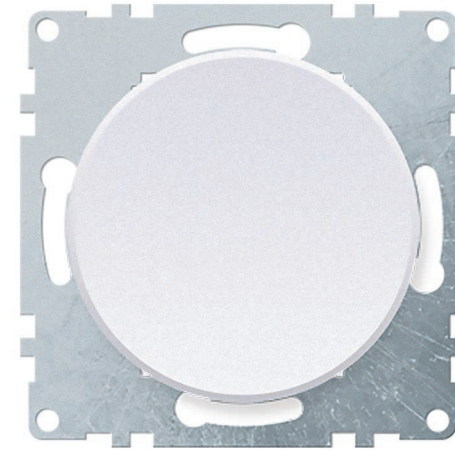
OneKeyElectro electrical products ensure reliability and electrical safety.

All plastic elements are made of high quality polycarbonate, which is heat resistant and provides reliable protection against electric shock.





# Switches



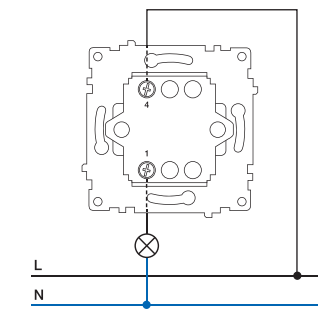
## 1-gang one-way switch

1-gang switch is suitable for controlling all types of lamps – incandescent, LED, halogen, etc. The use of switches of this type is allowed with current in the switched circuit up to 10A.

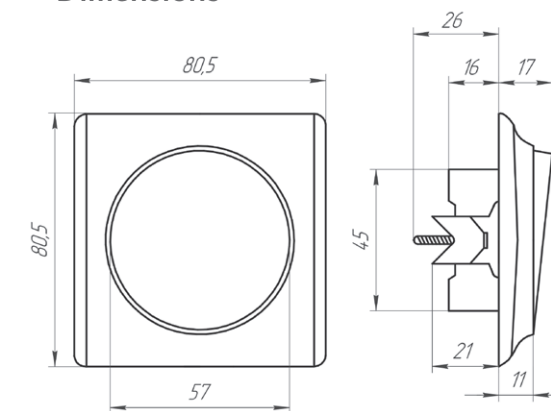
## Technical specifications

Technical specifications: **250 V~**  
Degree of protection: **IP 20**  
Body material: **PC plastic**  
Mounting type: **flush-mounted**  
Type of contacts: **screwless**

## Wiring diagram

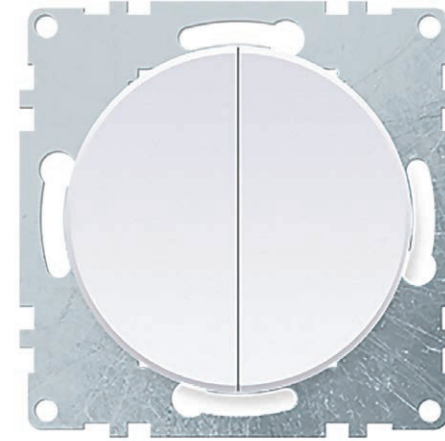


## Dimensions





# Switches



## 2-gang one-way switch

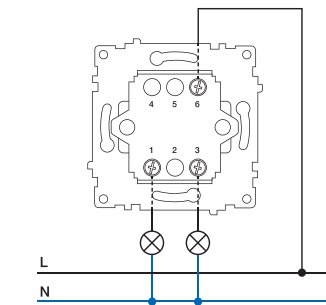
The OneKeyElectro 2 gang switch is one of the most popular flush-mounted switches. The switch can be used to control lighting in two separate rooms or different lighting zones in the same room.

The switch is suitable for all types of lamps – incandescent, LED, halogen – and can be used for controlling other devices such as exhaust ventilation systems. Switches of this type are used for circuit currents up to 10 A.

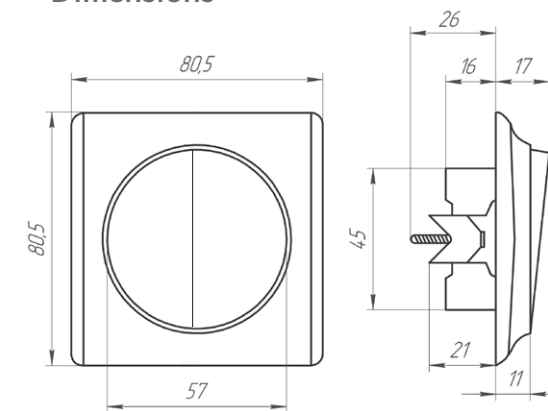
## Technical specifications

Rated voltage: **250 V~**  
Degree of protection: **IP 20**  
Body material: **PC plastic**  
Mounting type: **flush-mounted**  
Type of contacts: **screwless**

## Wiring diagram

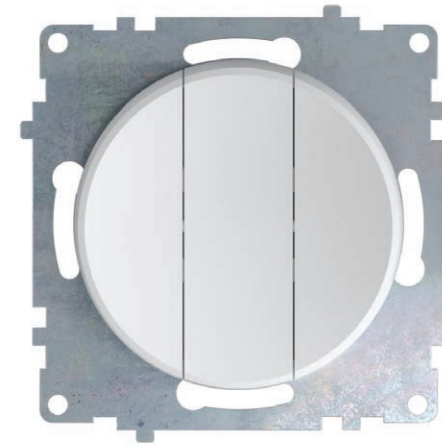


## Dimensions





# Switches



## 3-gang one-way switch

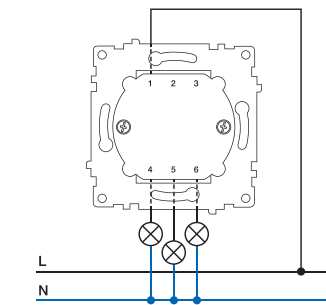
The OneKeyElectro 3 gang one-way switch can be used to control lighting in three rooms or three lighting fixtures in one room, for example, when zoning a room into a recreation area, kitchen and dining area.

The switch is suitable for all types of lamps – incandescent, LED, halogen – and can be used for controlling other devices such as exhaust ventilation systems. Switches of this type are used for circuit currents up to 10 A.

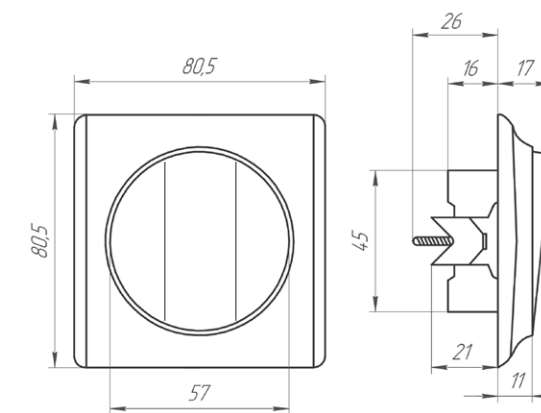
## Technical specifications

Rated voltage: **250 V~**  
Degree of protection: **IP 20**  
Body material: **PC plastic**  
Mounting type: **flush-mounted**  
Type of contacts: **screwless**

## Wiring diagram



## Dimensions





# Switches



## 1-gang one-way switch with lighting

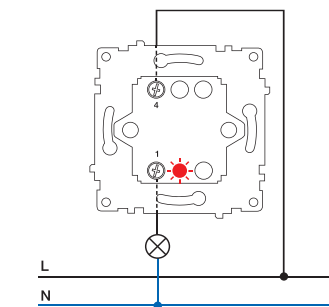
The OneKeyElectro single key switch with lighting is one of the most popular switches in the product line. The lighting of the switch makes it easy to detect in a dark room. Switches of this type are used for circuit currents up to 10 A.

The switches with lighting are suitable for use with incandescent and halogen bulbs. To control LED lamps, we recommend using the switches without lighting.

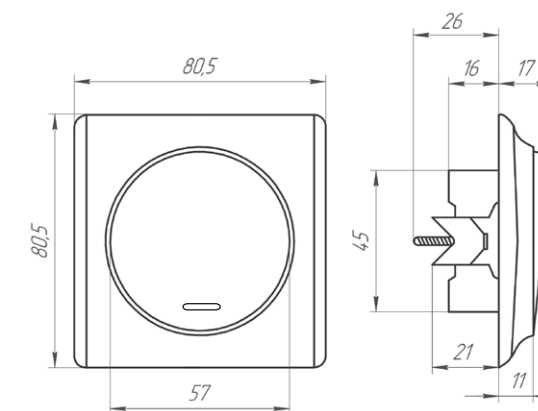
## Technical specifications

Rated voltage: **250 V~**  
Degree of protection **IP 20**  
Body material: **PC plastic**  
Mounting type: **flush-mounted**  
Type of contacts: **screwless**  
Lighting bulb color: **orange**

## Wiring diagram



## Dimensions





# Switches



## 2-gang one-way switch with lighting

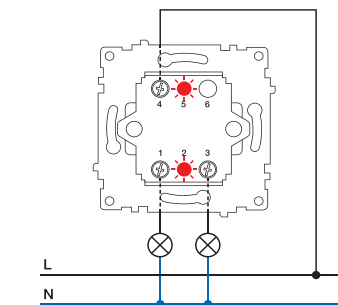
The 2 gang one-way switch with lighting is a product of the designer line of modern wiring accessories. The lighting of the switch makes it easy to detect in a dark room.

Switches of this type are used for circuit currents up to 10 A. The switches with lighting are suitable for use with incandescent or halogen bulbs and other devices. To control LED lamps, we recommend using the switches without lighting.

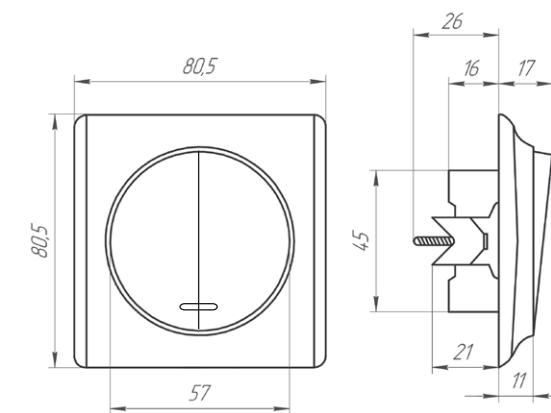
## Technical specifications

Rated voltage: **250 V~**  
Degree of protection: **IP 20**  
Body material: **PC plastic**  
Mounting type: **flush-mounted**  
Type of contacts: **screwless**  
Lighting bulb color: **orange**

## Wiring diagram



## Dimensions





# Switches



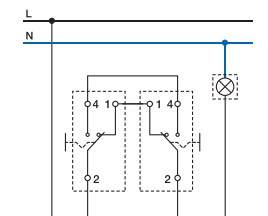
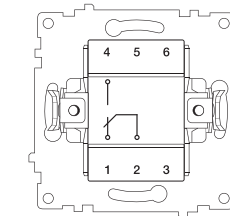
## 1-gang two-way switch

Two-way switch is designed to control lighting from two points. For example, two switches for the same light fixture in the bedroom entrance and the bedside area make it possible to turn lights on and off from two different locations.

## Technical specifications

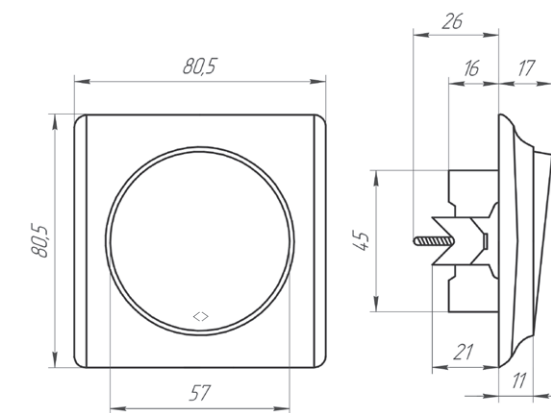
Rated voltage: **250 V~**  
Degree of protection: **IP 20**  
Body material: **PC plastic**  
Mounting type: **flush-mounted**  
Type of contacts: **screwless**

## Wiring diagram



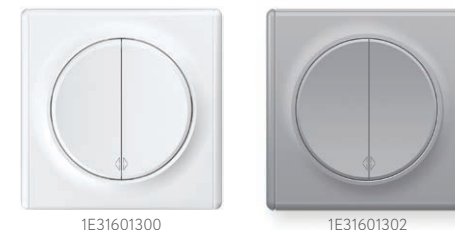
Применение двух одноклавишных переключателей 1E3140130x для управления одним источником света

## Dimensions





# Switches



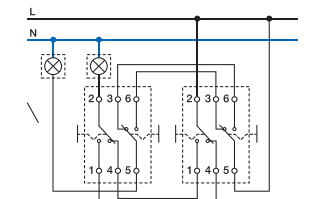
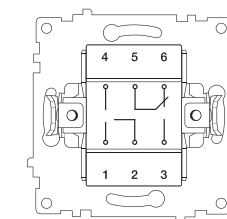
## 2-gang two-way switch

The 2 gang two-way switch significantly increases the convenience and functionality of controlling lighting in a room. Unlike a standard one-way switch, the 2 gang two-way switch offers the possibility to control two light fixtures from two different locations. This can be two independent lighting fixtures, such as a ceiling light and a wall light.

## Technical specifications

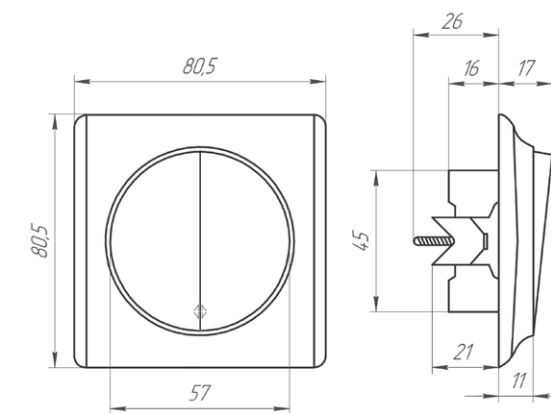
Rated voltage: **250 V~**  
Degree of protection: **IP 20**  
Body material: **PC plastic**  
Mounting type: **flush-mounted**  
Type of contacts: **screwless**

## Wiring diagram



Принципиальная схема управления из 2 мест с двумя светильниками при помощи переключателя двойного (требуется два переключателя 1E3160130x)

## Dimensions





# Переключатели и выключатели



## Intermediate switch

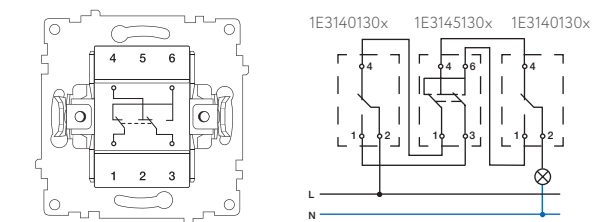
The intermediate switch is a unique mechanism used in combination with 2 two-way switches to control lighting from three points. For example, next to the door and two beds in a bedroom or upstairs, downstairs and between floors. To have more light control points, you will need several intermediate switches.

The use of this kind of switches improves human comfort as well as reduce the cost of electricity by turning off the lighting fixture promptly.

## Technical specifications

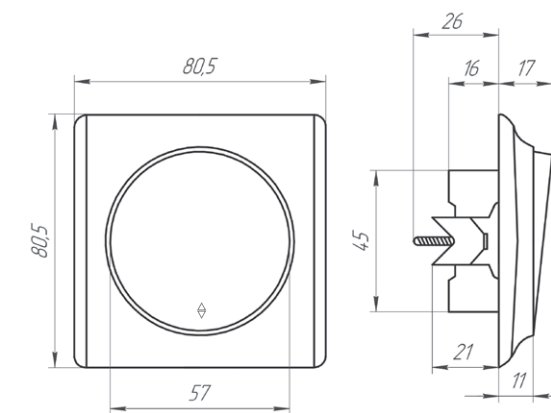
Rated voltage: **250 V~**  
 Degree of protection: **IP 20**  
 Body material: **PC plastic**  
 Mounting type: **flush-mounted**  
 Type of contacts: **screwless**

## Wiring diagram



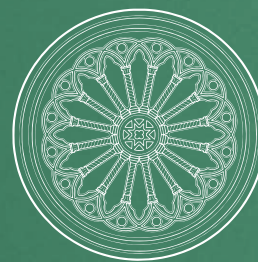
Принципиальная схема управления из трех мест с помощью одного перекрестного выключателя 1E3145130x и двух переключателей 1E3140130x

## Dimensions



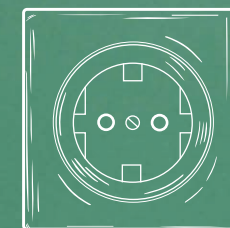


# ONEKEYELECTRO BENEFITS



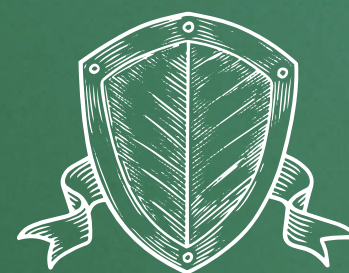
## HIGH-QUALITY MATERIALS

All components of OneKeyElectro electrical products are made of high-quality materials that are safe for human health.



## ROBUST DESIGN

Robust mechanism and impeccable build quality ensure long-term performance of the OneKeyElectro wiring accessories.



## FIRE SAFETY

The conductive contacts of OneKeyElectro sockets are made of brass with increased copper content, which ensures high fire safety of the sockets, preventing their overheating.



## ELECTRICAL SAFETY

High quality polycarbonate has a good heat resistance, does not maintain combustion and provides additional protection against electric shock.





# SOCKET OUTLETS

OneKeyElectro sockets ensure reliability and electrical safety.

Impeccable build quality and reliable materials of the wiring accessories along with affordable price make the OneKeyElectro products attractive to both professionals and end users.





# Socket outlets



## SCHUKO socket outlet

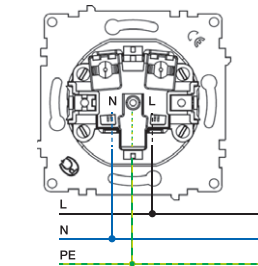
The SCHUKO socket is one of the most popular flush-mounted sockets. The socket is designed for safe connection of household appliances rated up to 16 A.



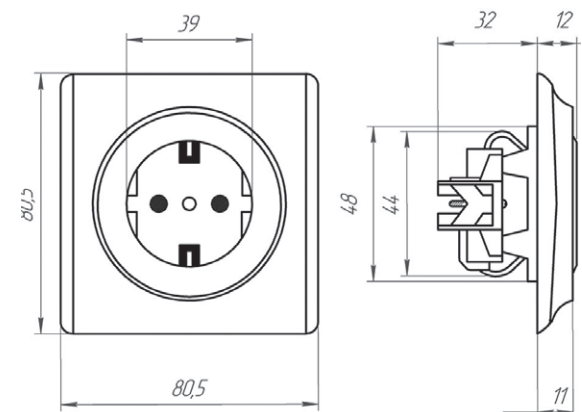
## Technical specifications

Rated voltage: **250 V~**  
Degree of protection: **IP 20**  
Body material: **PC plastic**  
Mounting type: **flush-mounted**  
Type of contacts: **screw**

## Wiring diagram



## Dimensions





# Socket outlets



## SCHUKO socket outlet with shutters

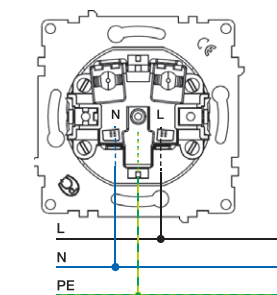
The socket is equipped with special dielectric shutters, which protect the conductive contacts from the external environment, and reliably protects people from accidental electric shock.



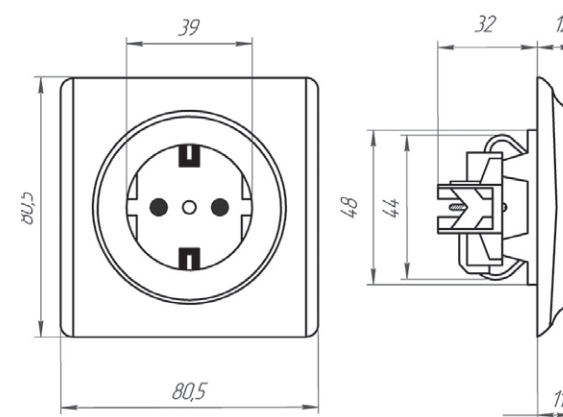
## Technical specifications

Rated voltage: **250 V~**  
Degree of protection: **IP 20**  
Body material: **PC plastic**  
Mounting type: **flush-mounted**  
Type of contacts: **screw**

## Wiring diagram



## Dimensions





# Socket outlets



## SCHUKO socket outlet with lid

The socket has a protective lid which serves as a protection against dirt entering inside the mechanism.

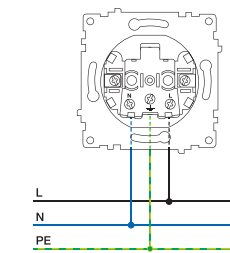
Please note that the socket outlet is not waterproof (IP20) and therefore should not be installed in close proximity to water sources. If the installation recommendations are followed, the socket outlet with protective lid can be used in the kitchen and bathroom.



## Technical specifications

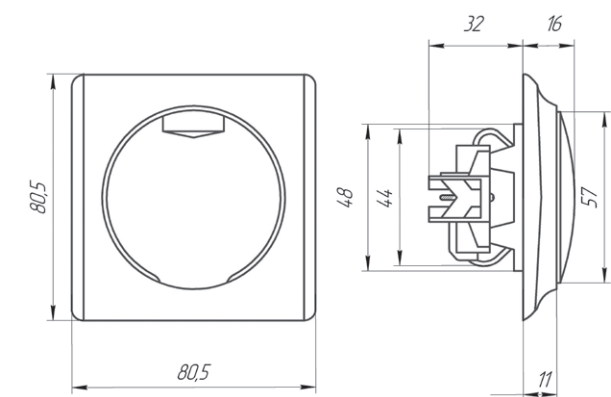
Rated voltage: **250 V~**  
 Degree of protection: **IP 20**  
 Body material: **PC plastic**  
 Mounting type: **flush-mounted**  
 Type of contacts: **screw**

## Wiring diagram



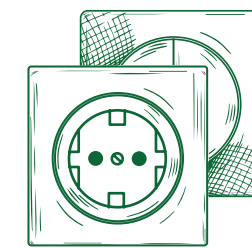
Electrical connection of the socket  
 1E1010130x-E, 1E1020130x-E, 1E1050130x-E  
 Front view

## Dimensions

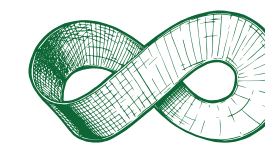




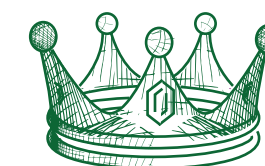
# OneKeyElectro Embodiment of Style



**UNUSUAL CONCEPT –  
CIRCLE IN THE SQUARE**



**PERFECTION OF SHAPE  
AND DESIGN**



**NOBLE TEXTURE OF  
DECORATIVE MATERIALS**





# USB CHARGER SOCKETS



## Double USB charger socket

The double USB charger socket makes it possible to charge two devices with 2A power (for both sockets), such as smartphones, tablets, etc., at the same time. The devices are connected directly via USB cable without using a USB power adapter. A convenient lighting feature helps you see if the USB socket is live or not.

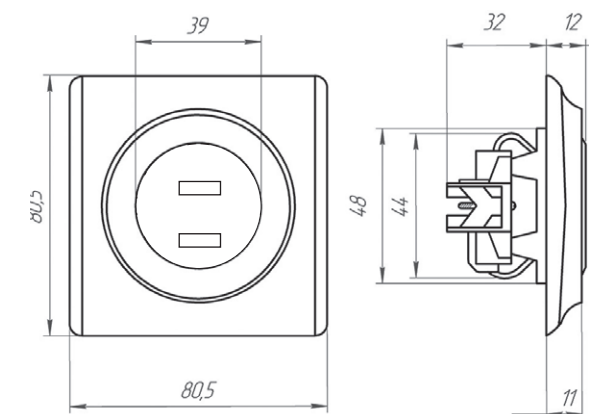
The USB sockets are designed for flush mounting in apartments or houses. They significantly increase the functionality of the space when placed in the bedside area, near the workplace in the office or in public places.



## Technical specifications

Degree of protection: **IP 20**  
Body material: **PC plastic**  
Rated current per two connectors: **2,1A**  
Rated output voltage: **5V-**

## Габаритные размеры





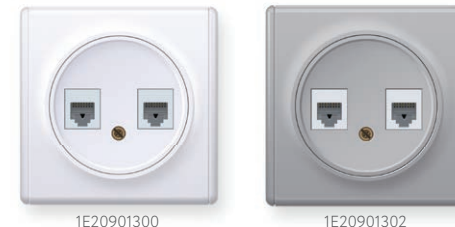
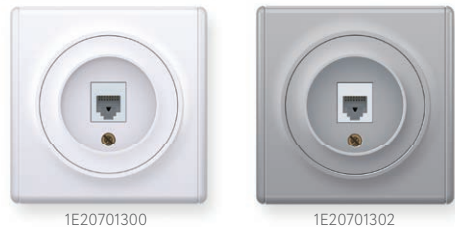
# LOW-VOLTAGE SOCKETS

Слаботочные розетки OneKeyElectro – элегантный акцент изысканного интерьера. Flush-mounted монтаж и необычные формы позволят изделию эффектно вписаться в современный интерьер.





# Low-voltage sockets



## Data connection socket RJ45

The use of RJ45 sockets is recommended for apartments with a complex layout, especially in contemporary apartment buildings, houses and townhouses, where the Wi-Fi signal can be interrupted. The RJ45 socket Cat.5e UTP is also used for VoIP connections. The socket is available in two designs: 1xRJ45 and 2xRJ45.

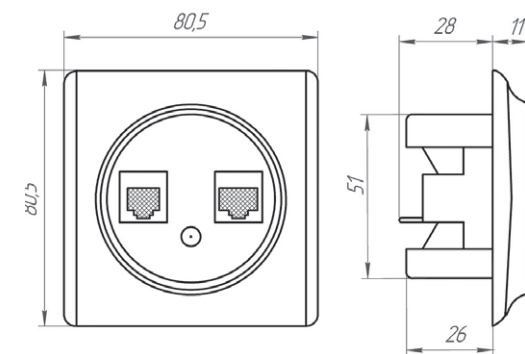
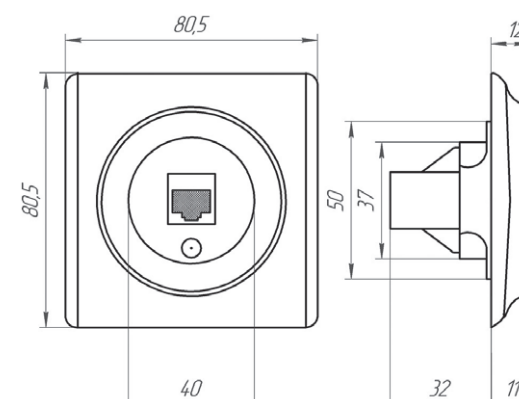
## Technical specifications

Degree of protection: **IP 20**

Body material: **PC plastic**

Type of cable pin contacts: **blade type with insulation displacement**

## Dimensions







OneKeyElectro  
Exclusive design and high  
quality at affordable price!



# FLORENCE FRAMES

Florence frames are used to install and frame any three OneKeyElectro mechanisms. Florence frames give a special charm and comfort to any rooms in cottages and townhouses, harmoniously complement the contemporary interior design of apartments. Frames can serve as a decorative element of hotel rooms, cafes, or restaurants, as well as emphasize the rigor and minimalism of office space and co-working rooms.

The pleasant to the touch frames are made of high-quality polycarbonate with a non-glare and non-marking surface.

The OneKeyElectro frames and mechanisms can be combined by choosing contrasting colors or a tone-on-tone combination.





# Polycarbonate frames



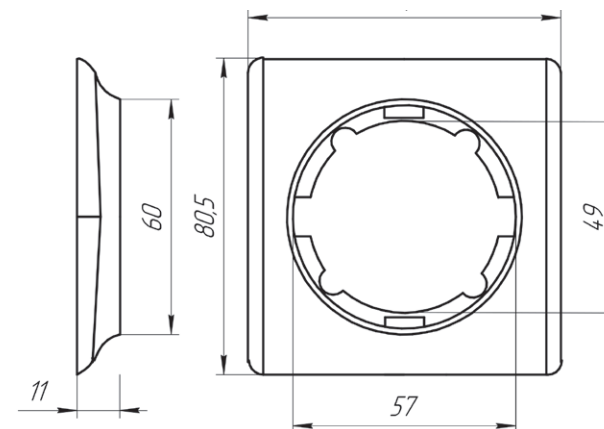
## 1-gang frame

The 1-gang frame is designed to frame a switch, socket outlet or any other mechanism. When installing the frame, make sure that the bars on the edges of the frame are vertical. Proper installation will ensure correct operation of the mechanism.

## Technical specifications

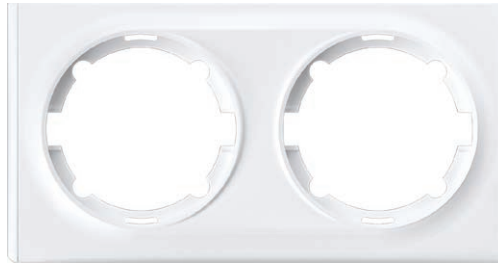
Material: **PC plastic**  
Mounting type: **snap-on**  
Mounting orientation: **horizontal**  
Surface: **matte**

## Dimensions





# Polycarbonate frames



1E52201300



1E52201301



1E52201302



1E52201303

## 2-gang frame (horizontal)

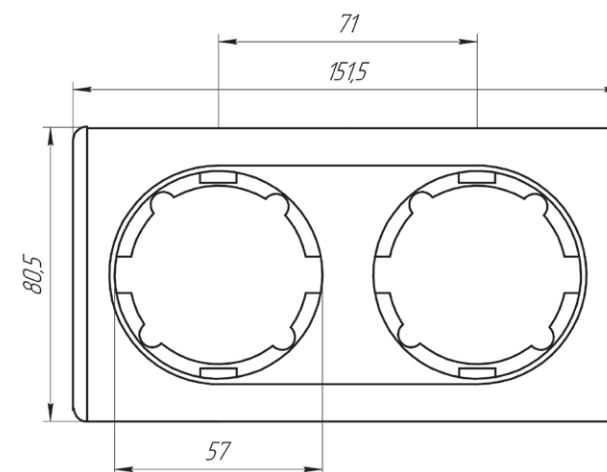
2-gang frame is one of the most popular plastic frames of the product line. It is used to install and frame any two OneKeyElectro mechanisms.

Such a frame looks aesthetically pleasing in interior design, emphasizing the simplicity and elegance of electrical accessories.

## Technical specifications

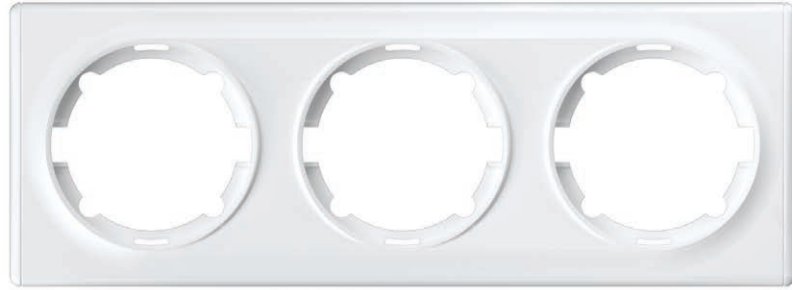
Material: **PC plastic**  
Mounting type: **snap-on**  
Mounting orientation: **horizontal**  
Surface: **matte**

## Dimensions





# Polycarbonate frames



1E52301300



1E52301301



1E52301302



1E52301303

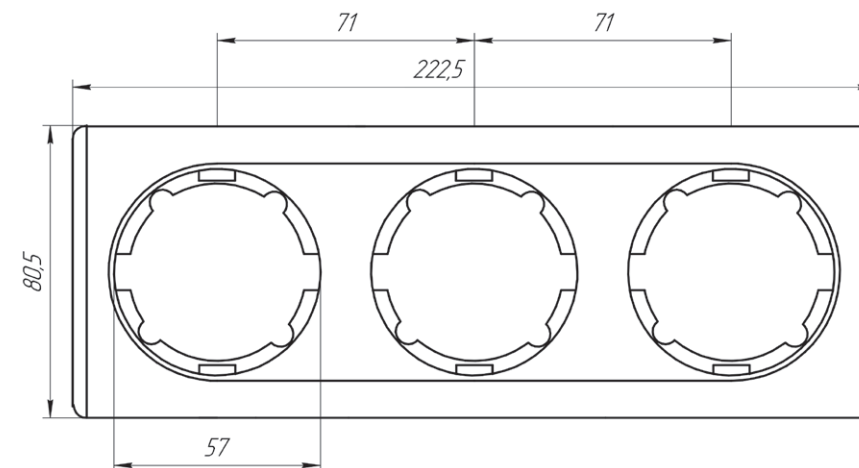
## 3-gang frame (horizontal)

The 3-gang frame is used to install and frame any three OneKeyElectro mechanisms.

## Technical specifications

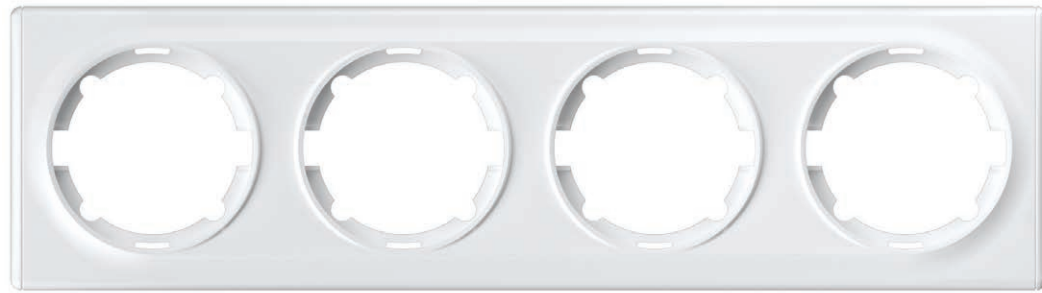
Material: **PC plastic**  
Mounting type: **snap-on**  
Mounting orientation: **horizontal**  
Surface: **matte**

## Dimensions





# Polycarbonate frames



1E52401300



1E52401301



1E52401302



1E52401303

## 4-gang frame (horizontal)

The 4-gang frame is used to arrange any five OneKeyElectro mechanism combinations.

## Technical specifications

Material: PC **plastic**

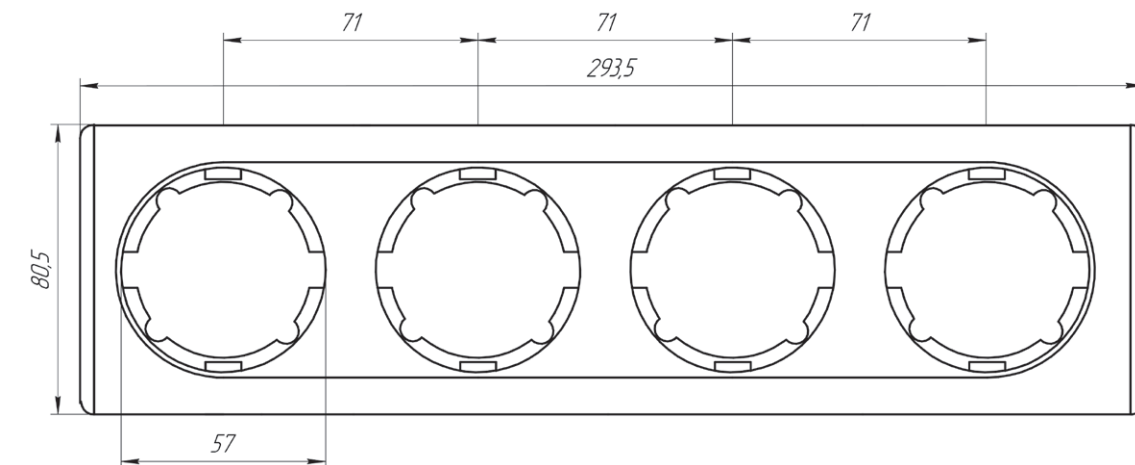
Mounting type: **snap-on**

Mounting orientation: **horizontal**

Surface: **matte**

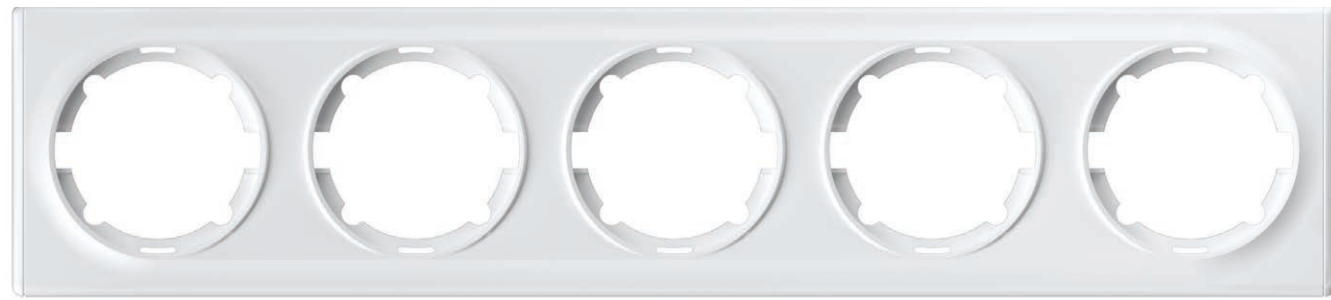


## Dimensions





# Polycarbonate frames



1E52501300



1E52501301



1E52501302



1E52501303

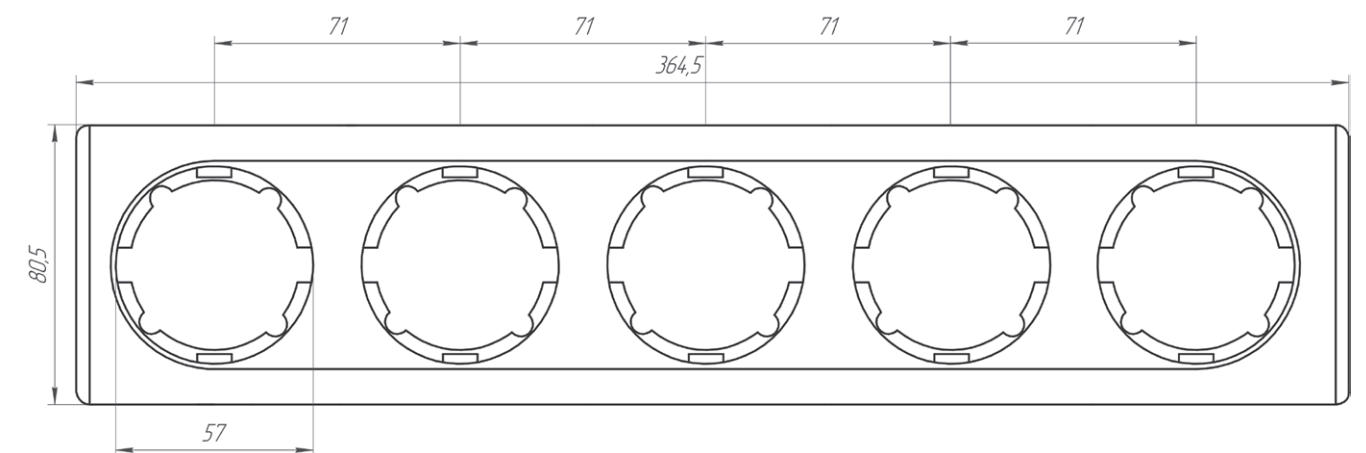
## 5-gang frame (horizontal)

The 5-gang frame is used to arrange any five OneKeyElectro mechanism combinations. Such combinations are most commonly placed near the desktop. For example, a combination of two data connection sockets, two power sockets, and one switch, etc.

## Technical specifications

Body material: **PC plastic**  
Mounting type: **snap-on**  
Mounting orientation: **horizontal**  
Surface: **matte**

## Dimensions





# Polycarbonate frames

Vertical installation



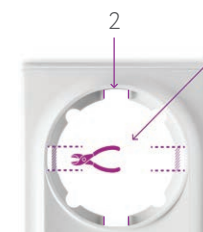
## Instructions for vertical installation of OneKeyElectro products

### Switches



To install the switches in a vertical position, you need to:  
remove the plastic strips (1) located inside the frame

### Sockets



For vertical installation:  
remove the plastic strips (1) and ridges on the frame (2)

### Low-current sockets



For vertical installation:  
Remove the ridges on the frame (2)



OneKeyElectro  
Perfect in form and  
function







## GARDA FRAMES

Garda designer frames made of natural glass by OneKeyElectro are a real masterpiece. Inspired by the crystal surface of Lake Garda, we have created a unique decorative element that can become a stylish and functional interior accessory for your home or office, as well as for hotels, cafes and restaurants. Garda frames are used to install and frame any three OneKeyElectro mechanisms.

All OneKeyElectro mechanisms and frames are available in four popular colors: white, gray, beige and black. You can combine them to create numerous color variations.



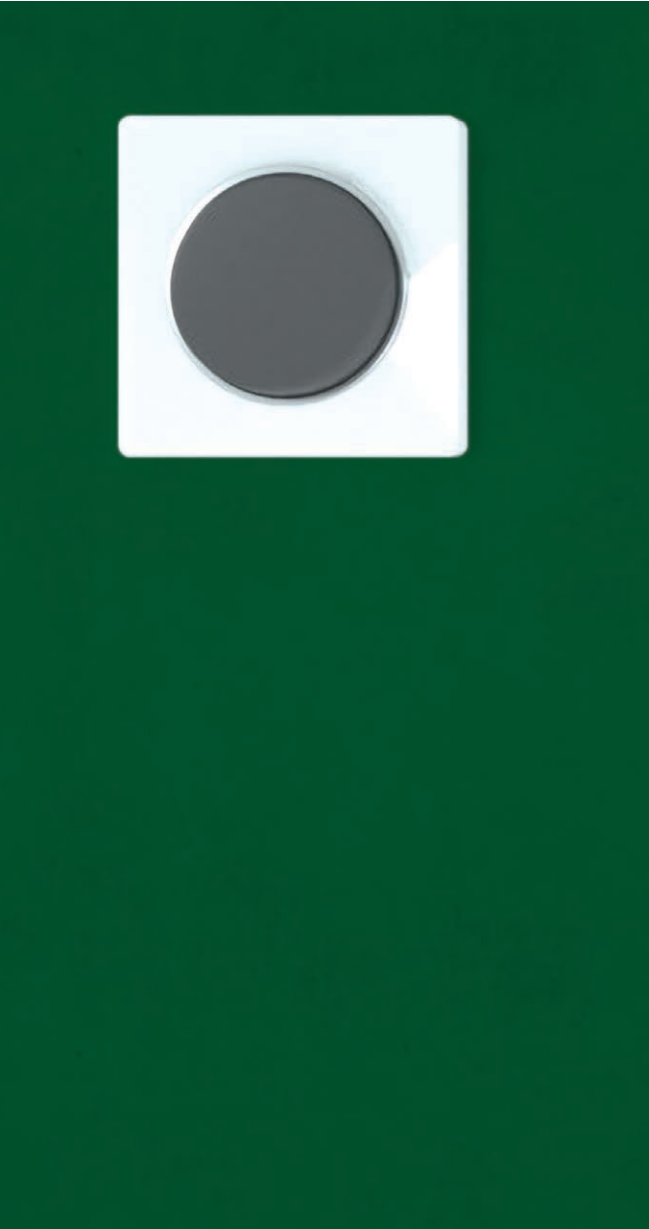


# Glass frames



## 1-gang glass frame

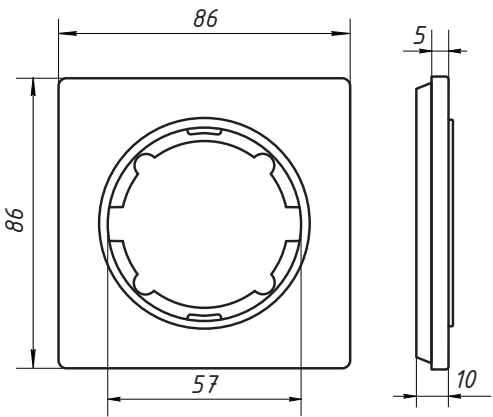
1-gang glass frame is one of the most popular frames of the product line. It is used to install and frame any two OneKeyElectro mechanisms.



### Technical specifications

Material: **PC plastic, glass**  
 Mounting type: **snap-on**  
 Mounting orientation: **horizontal**  
 Surface: **glossy**

### Dimensions





# Glass frames



1E52201300



1E52201301



1E52201303



1E52201302

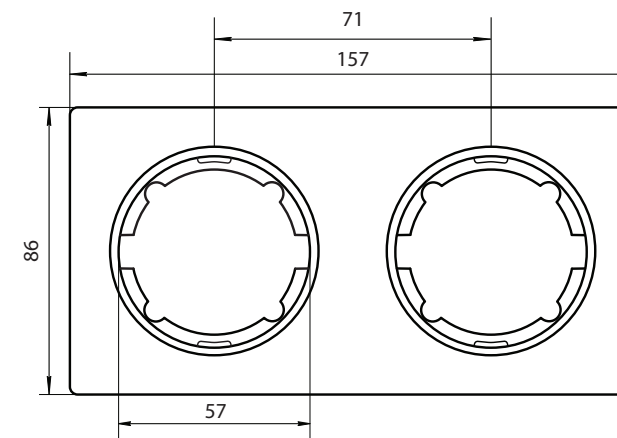
## 2-gang glass frame (horizontal)

2-gang glass frame is used to install and frame any two OneKeyElectro mechanisms.

## Technical specifications

Material: **PC plastic, glass**  
Mounting type: **snap-on**  
Mounting orientation: **horizontal**  
Surface: **glossy**

## Dimensions





# Glass frames



1E52301300



1E52301301



1E52301303



1E52301302

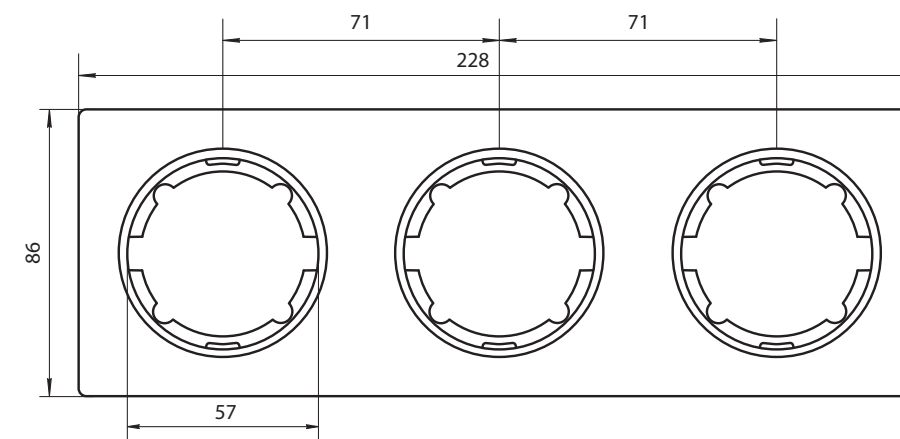
## 3-gang glass frame (horizontal)

3-gang glass frame is used to install and frame any three OneKeyElectro mechanisms. The stylish glossy frame with rounded corners is an exquisite decorative element for contemporary interiors.

## Technical specifications

Material: **PC plastic, glass**  
Mounting type: **snap-on**  
Mounting orientation: **horizontal**  
Surface: **glossy**

## Dimensions





# Glass frames



2E52401300



2E52401301



2E52401303



2E52401302

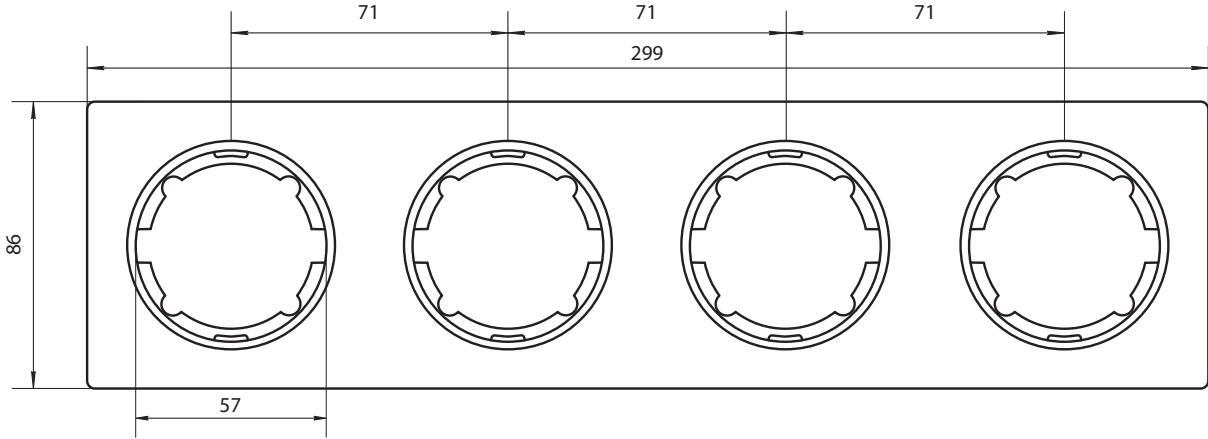
## 4-gang glass frame (horizontal)

The 4-gang glass frame is used to arrange any five OneKeyElectro mechanism combinations.

## Technical specifications

- Material: **PC plastic, glass**
- Mounting type: **snap-on**
- Mounting orientation: **horizontal**
- Surface: **glossy**

## Dimensions





# Glass frames



1E52501300



1E52501301



1E52501303



1E52501302

## 5-gang glass frame (horizontal)

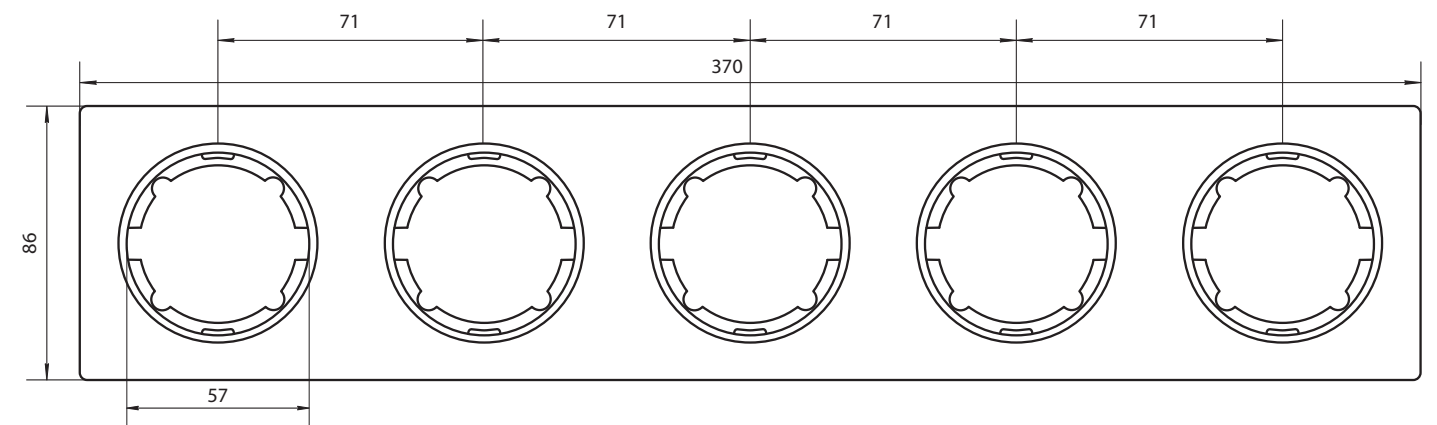
The 5-gang glass frame is used to arrange any five OneKeyElectro mechanism combinations.

The 5-gang horizontal glass frame may be a functional element of the kitchen backsplash when you need to connect numerous mechanisms. Elegant lines, neat curves, mirror and smooth surface – all these features create a distinctive style of Garda frames.

## Technical specifications

Material: **PC plastic, glass**  
Mounting type: **snap-on**  
Mounting orientation: **horizontal**  
Surface: **glossy**

## Dimensions





# Glass frames

## Vertical frames

2 and 3-gang glass frames Garda are also available in the vertical design.



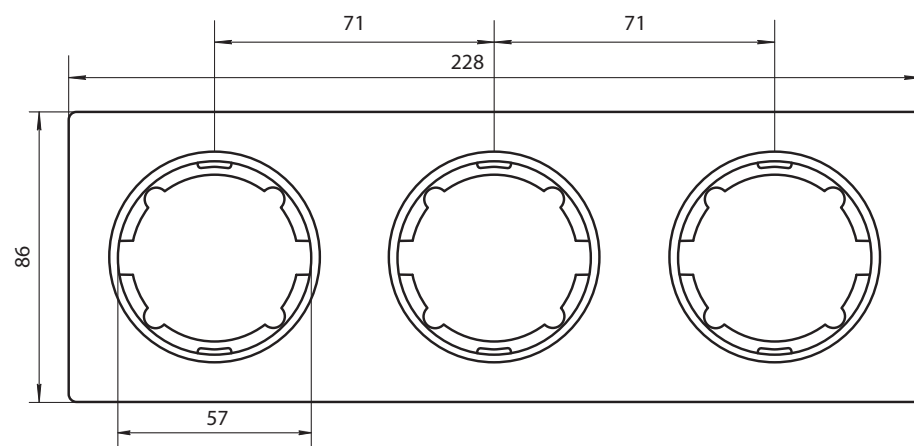
## 3-gang glass frame (vertical)



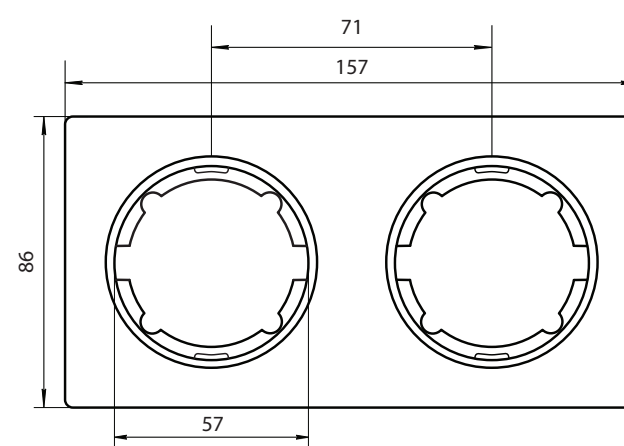
## 2-gang glass frame (vertical)



## Dimensions



## Dimensions



## Technical specifications на двойной и тройной рамке

Body material: PC plastic, стекло  
 Mounting type: snap-on  
 Mounting orientation: вертикальная  
 Surface: glossy





1 gang one-way switch	1E31301300 -E	1E31301301 -E	1E31301302 -E	1E31301303 -E
2 gang one-way switch	1E31501300 -E	1E31501301 -E	1E31501302 -E	1E31501303 -E
3 gang one-way switch	1E31901300 -E	1E31901301 -E	1E31901302 -E	1E31901303 -E
1 gang one-way switch with lighting	1E31701300 -E	1E31701301 -E	1E31701302 -E	1E31701303 -E
2 gang one-way switch with lighting	1E31801300 -E	1E31801301 -E	1E31801302 -E	1E31801303 -E
1 gang two-way switch	1E31401300 -E	1E31401301 -E	1E31401302 -E	1E31401303 -E
2 gang two-way switch	1E31601300 -E	1E31601301 -E	1E31601302 -E	1E31601303 -E
Intermediate switch	1E31451300 -E	1E31451301 -E	1E31451302 -E	1E31451303 -E
SCHUKO socket outlet	1E10201300 -E	1E10201301 -E	1E10201302 -E	1E10201303 -E
SCHUKO socket outlet, shutters	1E10101300 -E	1E10101301 -E	1E10101302 -E	1E10101303 -E
SCHUKO socket outlet with lid	1E10501300 -E	1E10501301 -E	1E10501302 -E	1E10501303 -E
Data connection socket 1xRJ45, Cat.5e UTP	1E20901300 -E	1E20901301 -E	1E20901302 -E	1E20901303 -E
Double USB charger socket	1E20701300 -E	1E20701301 -E	1E20701302 -E	1E20701303 -E
1-gang plastic frame	1E52101300 -E	1E52101301 -E	1E52101302 -E	1E52101303 -E
2-gang plastic frame (horizontal)	1E52201300 -E	1E52201301 -E	1E52201302 -E	1E52201303 -E
3-gang plastic frame (horizontal)	1E52301300 -E	1E52301301 -E	1E52301302 -E	1E52301303 -E
4-gang plastic frame (horizontal)	1E52401300 -E	1E52401301 -E	1E52401302 -E	1E52401303 -E
5-gang plastic frame (horizontal)	1E52501300 -E	1E52501301 -E	1E52501302 -E	1E52501303 -E
1-gang glass frame	2E52101300 -E	2E52101301 -E	2E52101302 -E	2E52101303 -E
2-gang glass frame (horizontal)	1E52201300 -E	1E52201301 -E	1E52201302 -E	1E52201303 -E
3-gang glass frame (horizontal)	1E52301300 -E	1E52301301 -E	1E52301302 -E	1E52301303 -E
4-gang glass frame (horizontal)	2E52401300 -E	2E52401301 -E	2E52401302 -E	2E52401303 -E
5-gang glass frame (horizontal)	1E52501300 -E	1E52501301 -E	1E52501302 -E	1E52501303 -E
2-gang glass frame (vertical)	2E52311300 -E	2E52311301 -E	2E52311302 -E	2E52311303 -E
3-gang glass frame (vertical)	2E52211300 -E	2E52211301 -E	2E52211302 -E	2E52211303 -E
	White	Beige	Grey	Black



<b>About us</b> .....	<b>3</b>
<b>Product lines</b> .....	<b>6</b>
<b>Switches</b> .....	<b>14</b>
1-gang one-way switch.....	16
2-gang one-way switch.....	18
3-gang one-way switch.....	20
1-gang one-way switch with lighting.....	22
2-gang one-way switch with lighting.....	24
1-gang two-way switch.....	26
2-gang two-way switch.....	28
Intermediate switch.....	30
<b>Socket outlets</b> .....	<b>34</b>
SCHUKO socket outlet.....	36
SCHUKO socket outlet with shutters.....	38
SCHUKO socket outlet with lid.....	40
<b>USB CHARGER SOCKETS</b> .....	<b>44</b>
Double USB charger socket.....	45
<b>LOW-VOLTAGE SOCKETS</b> .....	<b>46</b>
Data connection socket RJ45.....	48
<b>Florence frames</b> .....	<b>52</b>
1-gang frame.....	54
2-gang frame (horizontal).....	56
3-gang frame (horizontal).....	58
4-gang frame (horizontal).....	60
5-gang frame (horizontal).....	62
Instructions for vertical installation of OneKeyElectro products.....	65
<b>Garda frames</b> .....	<b>68</b>
1-gang glass frame.....	70
2-gang glass frame (horizontal).....	72
3-gang glass frame (horizontal).....	74
4-gang glass frame (horizontal).....	76
5-gang glass frame (horizontal).....	78
3-gang glass frame (vertical).....	80
2-gang glass frame (vertical).....	81





GammaSwiss SA  
Rue Galilee 6  
1400 Yverdon-les-Bains,  
Switzerland  
+41 24 425 01 13  
[gammaswiss@sst-international.com](mailto:gammaswiss@sst-international.com)

OneKeyElectro 2023